

17

Ø4.6

64

80

15

PG16

57

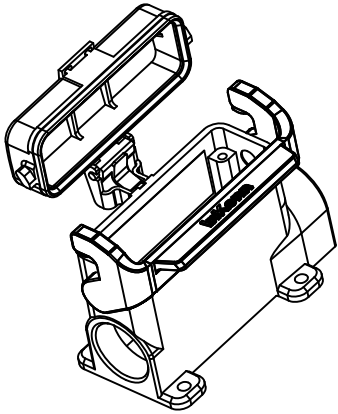
4


12.3

40

50

11.3



 InKonn (Suzhou) Electric Technology Co.,Ltd.	All Dimensions in mm Original Size DIN A4	Date 2021-05-20	Drawing No. TC0345313	Rev. A00	Scale 1:1
	Part No. 10 01 810 0652	Created by Shuxu Huang	Checked by Yiyi Luo	Page 1/1	
Type Name HA16-SM-PC-SL-PG16					